

**Landscape Bullet ET7158**

Project:

Location:

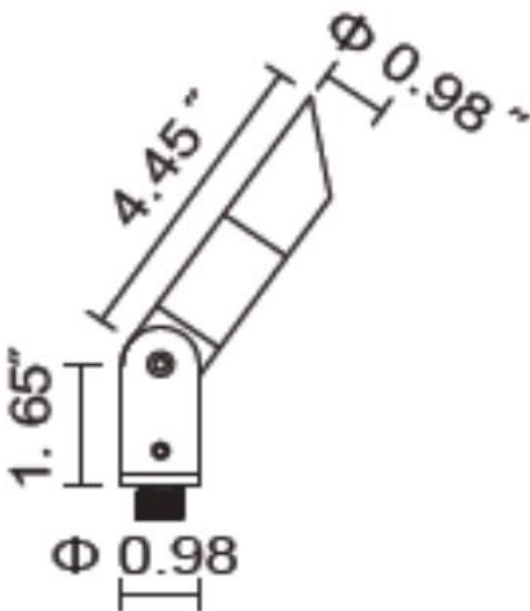
Catalog #:

Quantity:


**Features**

Teslyte ET7158 model is a small dimmable LED landscape bullet with an adjustable 180° tilt and 360° rotation. Various beam patterns, and retractable angle or straight shrouds can be combined to create multiple lighting effects and suitable for any landscape illumination, sign lighter, or other area and architectural accenting needs.

- Housing:
  - Die-casting aluminum housing and cover ring
  - Silicon rubber gasket
  - Powder coat finish that provides superior resistance to corrosion and weathering.
- Optical Lens:
  - High Intensity Tempered glass.
  - A variety of beam angles
- LEDs:
  - Highly efficient integral 3-step MacAdam Ellipse LED
- Applications:
  - Landscape, architectures, buildings and outdoor areas.
- Ratings:
  - IP65 - Suitable for wet locations.
- Warranty: 5-year warranty.

**Mechanical Dimensions & Technical Features**

**Input Voltage: 12Vdc or 24Vdc**

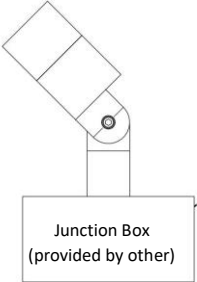
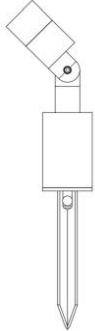


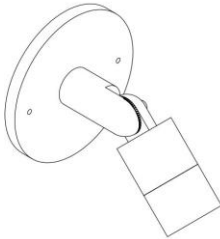
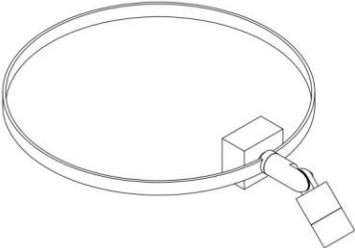
Lumen Output:			
	3000K	4000K	5000K
<b>3W</b>	Luminaire lumens are being updated. Contact Teslyte for lumen information for each configuration.		

**Ordering Information**

Product code	Wattage	CCT	Beam Angle	Ra	Voltage	Shroud	Finish	Mounting
<b>ET7158</b>	- <input type="text"/>	- <input type="text"/>	- <input type="text"/>	<input type="text"/>	- <input type="text"/>	- <input type="text"/>	- <input type="text"/>	- <input type="text"/>
	<b>C3 - 3W</b>	<b>30- 3000K</b> <b>40- 4000K</b> <b>50- 5000K</b>	<b>15- 15°</b> <b>25- 25°</b> <b>40- 40°</b> <b>AH-</b> H35° x V15° <b>AV-</b> H15° x H35°	<b>80- R80</b> <b>90- R90</b>	<b>12 - 12Vdc</b> <b>24 - 24Vdc</b>	<b>NS-</b> No Shroud <b>AS-</b> Angled Shroud <b>OS-</b> Open Straight Shroud	<b>B-</b> Black <b>W-</b> White <b>G-</b> Gray <b>Z-</b> Mineral Bronze <b>S-</b> Silver	<b>-KAJ</b> <b>-KAS</b> <b>-KPC</b> <b>-KPS</b> <b>-KAT</b> <b>-KAC</b>

Note: Fixtures must be grounded in accordance with national, state, and/or local electrical codes. Failure to do so may result in serious personal injury

**Mounting Options**

<b>-KAJ</b>  Junction Box (provided by other)	<b>-KAS</b> 	<b>-KPC</b> 	<b>-KPS</b> 
Junction Box mounting	Stake mounting	Power pile with conduit	Power pile with stake
<b>-KAC</b> 		<b>-KAT</b> 	
Canopy mounting		Tree ring	
<b>Note:</b> <ul style="list-style-type: none"> <li>Wiring compartment, stake, power pile, tree ring and canopy are accessories.</li> <li>Different size and shape of the stake, power pile, tree ring and canopy are available, contact manufacturer representative for details.</li> </ul>			