

## Inground Uplight ET8114

Project:

Location:

Catalog #:

Quantity:



### Features

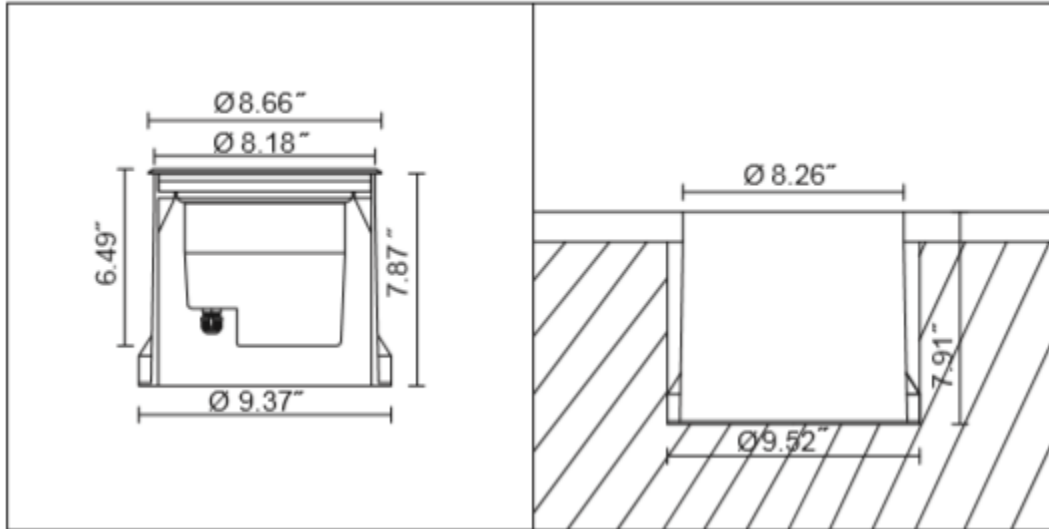
Teslyte ET8114 is in-ground luminaire that is designed to be durable and high performance with optimized heat dissipation while offer a clean architectural design. ET8114 can be installed in any concrete pavement and lawn. It is engineered to be suitable for walk-over and can withstand any weather conditions.

- Housing:
  - Die-casting aluminum housing.
  - Die-casting aluminum cover ring
  - Silicon rubber gasket
- LEDs
  - Integral highly efficient LED module and driver
- Optical Lens:
  - PMMA lens with clear tempered glass top cover
- Finish
  - Powder coat finish that provides resistance to corrosion and weathering
- Application:
  - Highlighting objects, sculptures, trees, brushes, walls and columns
- Warranty:
  - IP67 - Suitable for wet locations
  - 5 years warranty

### Ordering Information

Product code	Power	CCT (K)	Beam angle	Ra	Cover Ring	Optional
<b>ET8114</b>						
Input Voltage: 100-277Vac	<b>C7</b> - 7W <b>C11</b> - 11W <b>C15</b> - 15W	<b>3</b> - 3000K <b>4</b> - 4000K <b>6</b> - 6000K <b>R</b> - Red <b>G</b> - Green <b>B</b> - Blue <b>RGB</b> - R.G.B.	<b>05</b> - 05° <b>15</b> - 15° <b>25</b> - 25° <b>45</b> - 45° <b>60</b> - 60° <b>3515</b> - H35° xV15°	<b>80</b> - Ra80 <b>90</b> - Ra90	<b>S4</b> - 304 Stainless Steel <b>S6</b> - 316 Stainless Steel	<b>H</b> – Honeycomb Louver <b>M</b> - Marine ambient corrosion resistance <b>DMG</b> - 0-10V dimming (for C11 and C15 only)

Note: Fixtures must be grounded in accordance with national, state, and/or local electrical codes. Failure to do so may result in serious personal injury

**Mechanical Dimensions**

**Photometric**

IG-ET8114-C15-3-15-80-S4  
 LED luminous flux: 1500lm  
 Luminaire flux: 818lm  
 Beam angle 15

