

Retrofit Kits - LED



Features

The Teslyte RF-TD series is a high quality circular LED retrofit lamp replacement for a variety of luminaires, using high performance LEDs and driver. These replacement lamps are seamlessly integrated with both LED driver and light engine, making installation extremely easy and cost effective.

- Suitable for use in fully enclosed fixtures
- High Quality LEDs
- Customizable lens distribution depending on application requirements
- Available in different mounting bracket size: 8.7", 12.2" and 13.5"
- Applications: Residential or Commercial outdoor
- Mounting: Hard wired, fixed mount
- Warranty
 - UL classified
 - 5 year warranty
 - RoHS compliant

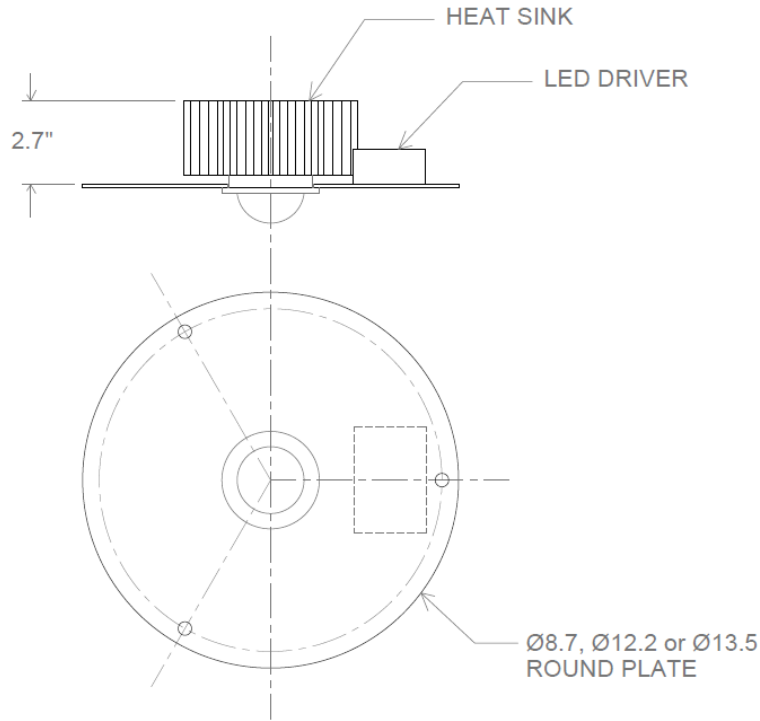
Ordering Information

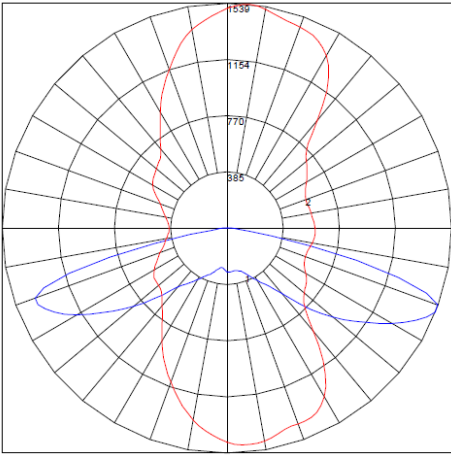
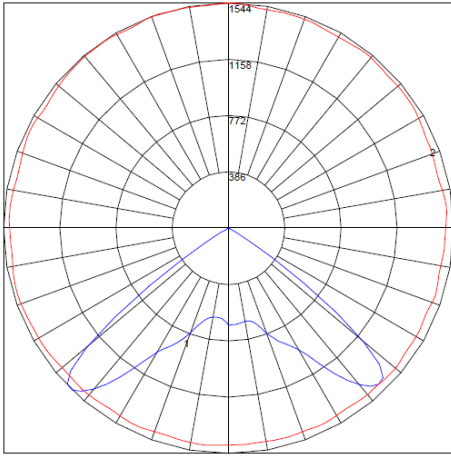
Product code	Voltage	Distribution	Wattage	CCT (K)	Finish	Optional
RF-TDxx	U					
xx: Project code name	U- Univ. (120v- 277v) 4- 480v	2- T2 3- T3 5- T5	⁽²⁾ Use Product Specifications table below for Wattage option code i.e. 25W or 80W	30- 3000K 40- 4000K 50- 5000K	Finish code i.e GR- Gray	D- Dimmable ND- Non-Dimmable

Note: Fixtures must be grounded in accordance with national, state, and/or local electrical codes. Failure to do so may result in serious personal injury

Product Specifications

⁽²⁾ Wattage code	25W- 25W	40W- 40W	50W-50W	60W-60W	80W-80W
	2875lms- 115 LPW @ 4000k	4600lms- 115 LPW @ 4000k	5750 lms- 115 LPW @ 4000k	6900 lms- 115 LPW @ 4000k	9200 lms- 115 LPW @ 4000k
	3125lms- 125 LPW @ 5000k	5000lms- 125 LPW @ 5000k	6050 lms- 125 LPW @ 5000k	7500 lms- 125 LPW @ 5000k	10,000 lms- 125 LPW @ 5000k
⁽¹⁾ Avail mounting bracket size	8.7", 12.2", 13.5"	12.2", 13.5"	12.2", 13.5"	12.2", 13.5"	12.2", 13.5"

Mechanical Dimensions

Light Distribution

BUG Rating B2-U1-G2	BUG Rating B2-U1-G0
<p>POLAR GRAPH</p> 	<p>POLAR GRAPH</p> 
<p>IES Classification Type III Luminaire Efficacy Rating (LER) 100 Maximum Candela 1539.3 Maximum Candela Angle 84H 68V Cutoff Classification (deprecated) Cutoff</p>	<p>IES Classification Type VS Luminaire Efficacy Rating (LER) 100 Maximum Candela 1544.087 Maximum Candela Angle 110H 44V Cutoff Classification (deprecated) Cutoff</p>