

## Surface Mounted Step Light – Low Voltage

Project:

Location:

Catalog #:

Quantity:



### Features

Teslyte WR-ET Series is a low voltage 24 V<sub>DC</sub> contemporary circular surface mounted step light that is designed to provide exceptional illumination and performance. Its minimalist and inconspicuous shape blends into the surroundings making it the ideal choice for illuminate and enhance building's exteriors, interiors, and stairs.

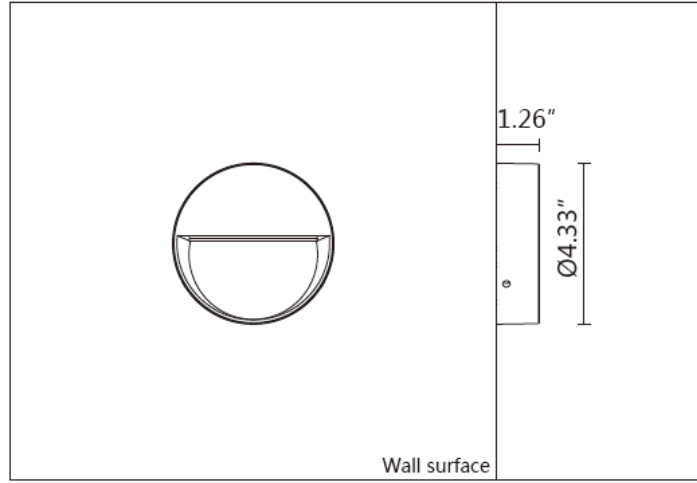
- **Housing:**
  - Die casting aluminum face plate and housing.
  - Stainless steel screws and mounting plate.
  - Imported silicon rubber ring.
- **Finish:**
  - Powder coat finish that provides superior resistance to corrosion and weathering.
- **Lens:**
  - High intensity tempered glass.
- **Optics:**
  - High power led 3-step MacAdam Ellipse
- **LEDs:**
  - Integral highly efficient LED module and driver.
  - Input Voltage: 24 V<sub>DC</sub>
- **Applications:**
  - Suitable for outdoor and indoor for Residential or Commercial
- **Mounting:** wall mount
- **Ratings:**
  - Suitable for wet locations. IP 65.
  - 5-year warranty

### Ordering Information

Product code	Power	CCT (K)	Ra	Finish	Optional
<b>WR-ET2001</b>	<b>C4</b>		<b>80</b>		
	<b>C4 - 4W</b>	<b>3 - 3000K</b> <b>4 - 4000K</b> <b>6 - 6000K</b>	<b>80 - Ra80</b>	<b>B - Black</b> <b>W - White</b> <b>G - Gray</b> <b>Z - Mineral</b> Bronze <b>S - Silver</b>	<b>M - Marine ambient</b> corrosion resistance

Note: Fixtures must be grounded in accordance with national, state, and/or local electrical codes. Failure to do so may result in serious personal injury |

**Mechanical Dimensions**



**Photometric**

WR-ET2001-C4-3-80-B  
LED luminous flux:407lm  
Luminaire flux: 77lm

