

Wall Recessed Step Light

Project:

Location:

Catalog #:

Quantity:



Features

Teslyte WR-ET Series is a compact and inconspicuous recessed step light that direct light downward, minimize uplight while revealing the texture of the stepped baffle. The WR-ET recessed step light is ideal for illuminating pathways, and indoor or outdoor steps.

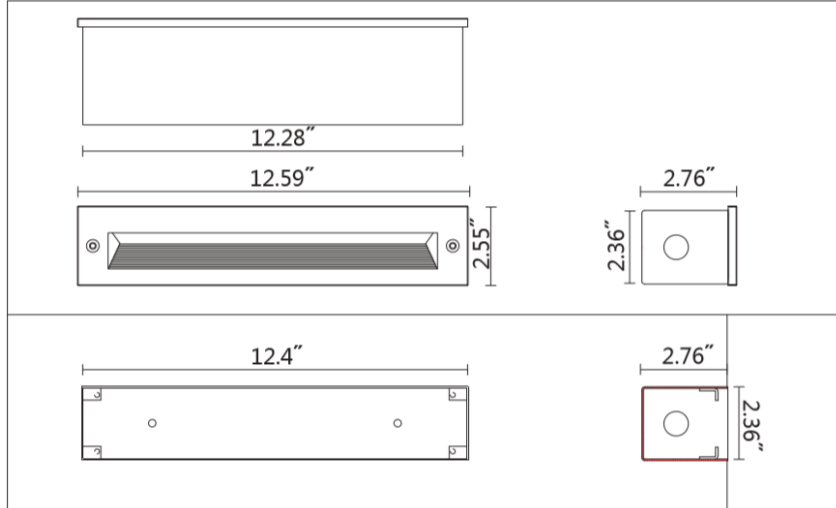
- Housing:
 - Die-casting aluminum housing
 - Die-casting aluminum baffle faceplate
 - Silicone rubber gasket
- LEDs
 - Integral highly efficient SMD LED module and driver
- Optical Lens:
 - PMMA lens
 - Asymmetric beam distribution
- Finish:
 - AkzoNobel Powder coat finish that provides superior resistance to corrosion and weathering.
- Application:
 - Pathways, indoor and outdoor stairs
- Warranty:
 - IP65
 - 3 years warranty



Ordering Information

Product code	Power	CCT (K)	Ra	Finish	Optional
WR-ET2006	C12				
Input Voltage: 100-277Vac	C12 - 12W	3 - 3000K (1250 lms) 4 - 4000K (1300 lms) 6 - 6000K (1420 lms)	80 - Ra80 90 - Ra90	B - Black W - White G - Gray Z - Mineral Bronze S - Silver	M - Marine ambient corrosion resistance DMG - 0-10V dimming

Note: Fixtures must be grounded in accordance with national, state, and/or local electrical codes. Failure to do so may result in serious personal injury

Mechanical Dimensions

Photometric
