

Wall Recessed Step Light

Project:

Location:

Catalog #:

Quantity:



Features

Teslyte WR-ET Series is a compact and inconspicuous recessed step light that direct light downward, minimize uplight. Two types of faceplates available: diffuse and louver. The WR-ET recessed step light is ideal for illuminating pathways, and indoor or outdoor steps.

- Housing:
 - Die-casting aluminum housing
 - Die-casting aluminum faceplate
 - Silicone rubber gasket
- LEDs
 - Integral highly efficient SMD LED module and driver
- Optical Lens:
 - Polycarbonate diffuse lens
 - Two types of faceplates: Diffuse and Louver
- Finish:
 - Powder coat finish that provides superior resistance to corrosion and weathering.
- Application:
 - Pathways, indoor and outdoor stairs
- Warranty:
 - IP65
 - 3 years warranty



Ordering Information

Product code	Power	CCT (K)	Ra	Baffle	Finish	Optional
WR-ET2301	-	-	-	-	-	-
Input Voltage: 100-277Vac	S10 - 10W S20 - 20W	3 - 3000K 4 - 4000K 5 - 5000K R - Red G - Green B - Blue	80 - Ra80 90 - Ra90	D - Diffuse L - Louver	B - Black W - White G - Gray Z - Mineral Bronze S - Silver	M - Marine ambient corrosion resistance DMG - 0-10V Dimming

Note: Fixtures must be grounded in accordance with national, state, and/or local electrical codes. Failure to do so may result in serious personal injury

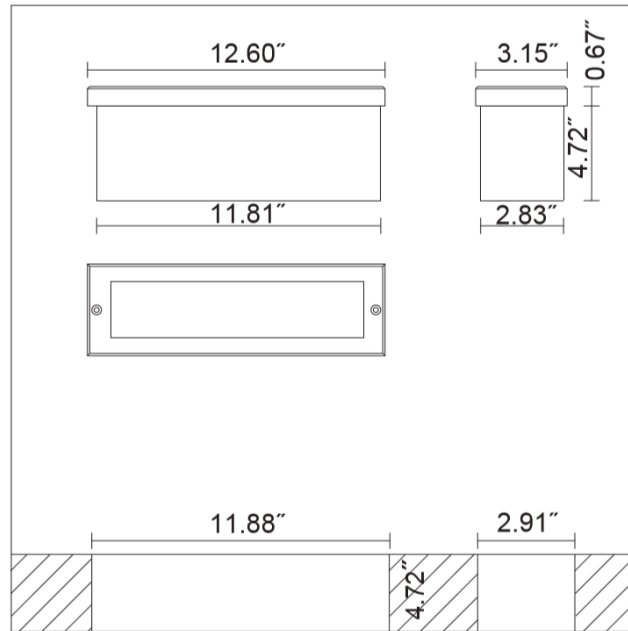
Options and Accessories

Diffuse

Louver

Faceplate Options



Mechanical Dimensions

Photometric
LUMINOUS INTENSITY DISTRIBUTION DIAGRAM
