

Wall Sconces LED Luminaire



Features

Teslyte WS-PL series, available in 13.75" and 26" in heights, has matte opal acrylic lens and bronze finish which blend with any decorative or architectural setting. Constructed of seamless, heavy-duty aluminum to withstand any weather. The WS-PL wall mount series is the marriage of classic design and modern contemporary styling. Its overall elegant appearance brings a desired organic look into the building exteriors.



- Housing:
 - Made of thick corrosion resistant aluminum
 - Powder coat bronze or silver finish
- LEDs
 - Integral highly efficient LED module and driver
- Lens
 - Matte opal acrylic
- Mechanical dimensions
 - 26" H x 9.75" W x 7" D
 - 13.75" H x 9.75" W x 7" D
- Application: Commercial outdoor
- Warranty:
 - UL listed, suitable for wet location
 - 5 years warranty

Ordering Information

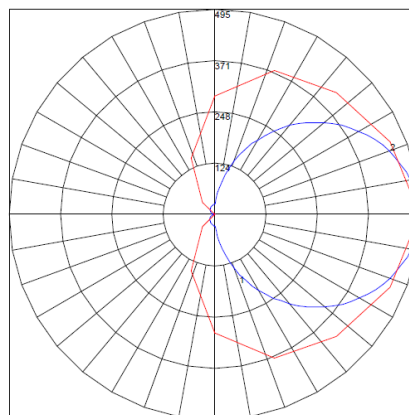
Product code	Voltage	Distribution	Wattage	CCT (K)	Finish	Optional
WS-	-	S	-	-	-	-
<small>⁽¹⁾ Use fixture height options table for product code i.e. WS-PL26</small>	U- 120-277V	S- Symmetrical	<small>⁽²⁾ Use wattage options below for product wattage i.e WS-PL26: 36W</small>	30- 3000K 40- 4000K 50- 5000K	BR- Bronze SL- Silver	N- No option D- Dimmable P- Photo sensor

Note: Fixtures must be grounded in accordance with national, state, and/or local electrical codes. Failure to do so may result in serious personal injury

Fixture Height Options

	
⁽¹⁾ Product family code	PL26 (26" height) PL13 (13.75" height)
⁽²⁾ Wattage	36W- 4000 lms 28W- 3000 lms

Light Distribution



Luminaire Efficacy Rating (LER) 84
 Maximum Candela 495.18
 Maximum Candela Angle 0H 87.5V
 Cutoff Classification (deprecated) Non-Cutoff