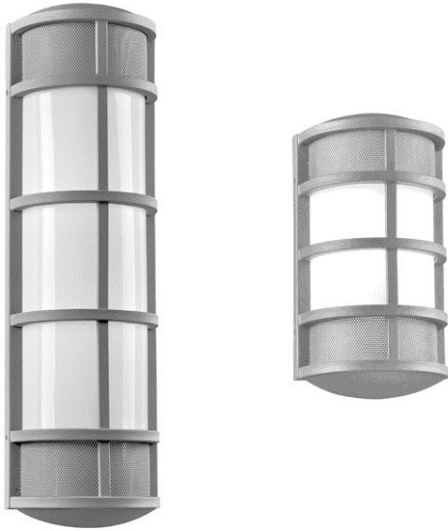


Wall Sconces LED Luminaire



Up and down light options available



Features

Teslyte WS-PL series, available with dual circuiting of up and down light options, has matte opal acrylic lens and bronze finish which blend with any decorative or architectural setting. Constructed of seamless, heavy-duty aluminum to withstand any weather. The WS-PL wall mount series is a modern contemporary styling, as an excellent choice for the enrichment of building exteriors.



- Housing:
 - Made of thick corrosion resistant aluminum
 - Powder coat bronze or silver finish
- LEDs
 - Integral highly efficient LED module and driver
- Lens
 - Matte opal acrylic
 - Available with up and down light options
- Mechanical dimensions
 - 27" H x 8" W x 5" D and 15" H x 8" W x 5" D
- Application: Commercial outdoor
- Warranty:
 - UL listed, suitable for wet location
 - 5 years warranty

Ordering Information

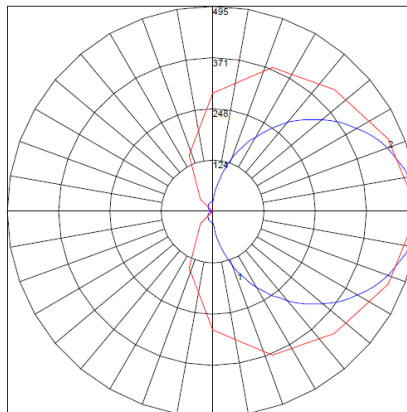
Product code	Voltage	Distribution	Wattage	CCT (K)	Finish	Optional
WS-	-	-	-	-	-	-
⁽¹⁾ Use fixture height options table for product code i.e. WS-PL27	U- 120-277V	S- Symmetrical	⁽²⁾ Use wattage options below for product wattage i.e WS-PL27: 36W	30- 3000K 40- 4000K 50- 5000K	BR- Bronze SL- Silver	N- No option D- Dimmable P- Photo sensor UD- U/D light option

Note: Fixtures must be grounded in accordance with national, state, and/or local electrical codes. Failure to do so may result in serious personal injury

Fixture Height Options

	
⁽¹⁾ Product family code PL27 (27" height)	PL15 (15" height)
⁽²⁾ Wattage 36W- 4000 lms	28W- 3000 lms

Light Distribution



Luminaire Efficacy Rating (LER) 84
 Maximum Candela 495.18
 Maximum Candela Angle 0H 87.5V
 Cutoff Classification (deprecated) Non-Cutoff