

Decorative Bollard



Project:

Location:

Catalog #:

Quantity:

Features

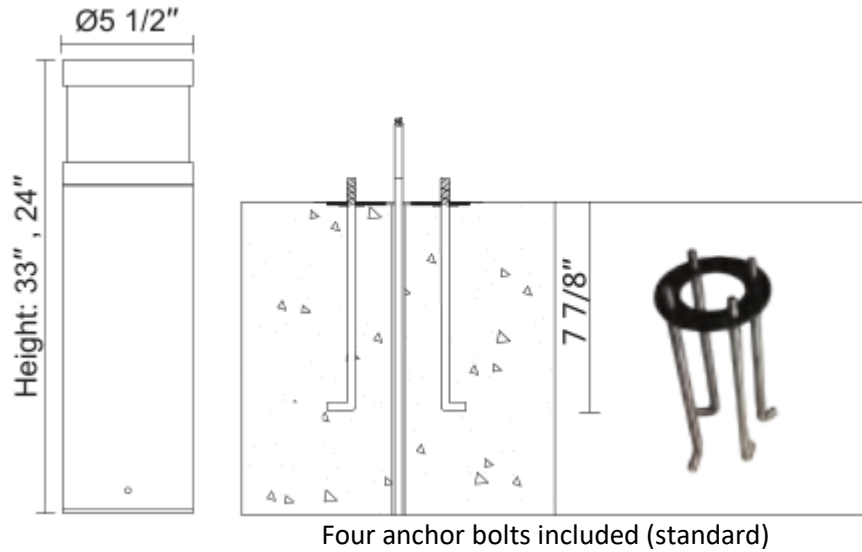
Teslyte ET5027 models are corrosion-resistant aluminum cylindrical bollard with uniform 360° light distribution. These bollards are ideal for illuminating pathways and complementing building exteriors and parks.

- Housing:
 - Extruded aluminum housing and die cast aluminum housing top
 - Aluminum base plate
- Finish:
 - Powder coat finish that provides superior resistance to corrosion and weathering.
- Lens:
 - Glass ring lens that spreads full 360° for open areas
 - Uniform distribution
- LEDs:
 - Integral highly efficient LED module.
 - High performance driver with all around protection: over-heating, short-circuit and over load protections
 - Input Voltage: 120 - 277 V_{AC}, 50Hz/60Hz
- Applications:
 - Suitable for pedestrian walkways for Residential or Commercial
- Mounting:
 - Mounting plate with anchor bolts for concrete anchor
- Ratings:
 - Suitable for wet locations. IP 65
 - 5-year warranty

Ordering Information

Product code	Power	Height	Diameter	CCT (K)	Ra	Finish	Optional
ET5027	- C10	- <input type="text"/>	- 6	- <input type="text"/>	- 80	- <input type="text"/>	- <input type="text"/>
	C10 - 10W	24 - 24" 33 - 33"	6 - 5.5"	3 - 3000K 4 - 4000K 6 - 6000K	80 - Ra80	B - Black W - White G - Gray Z - Mineral Bronze S - Silver	M - Marine ambient corrosion resistance

Note: Fixtures must be grounded in accordance with national, state, and/or local electrical codes. Failure to do so may result in serious personal injury

Mechanical Dimensions

Photometric

ET5027-C10-24-6-3-80-B
 LED luminous flux: 1120lm
 Luminaire flux: 402lm
 Beam angle

