

LED Bollard Luminaire ET5036

Project:

Location:

Catalog #:

Quantity:



Features

Teslyte ET5036 models are corrosion-resistant aluminum profiles with ring shaped lenses spreads 180° for open areas. These bollards are ideal for illuminating pathways and complementing building exteriors.

- **Housing:** Corrosion-resistant aluminum with cast aluminum head
- **Finish:** Exterior parts are protected by a thermoset powder coat finish that provides superior resistance to corrosion and weathering
- **Lens:** Light ring made of optical polymer with a ring-shaped lens spread 180°
- **LEDs:**
 - Highly efficient integral LED and driver.
- **Applications:**
 - Suitable for pedestrian walkway
- **Mounting:** Aluminum base plate for mounting on ground socket, concrete anchor or mounting plate
- **Ratings:**
 - Suitable for wet locations
- **Warranty:** 5-year warranty

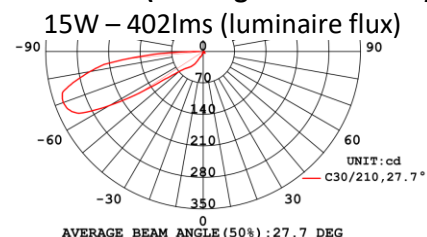
Ordering Information

Product code	Wattage	Height	Diameter	CCT(K)	Ra	Finish	Options
ET5036	C15	42	8				
ET5036- 180° Light distribution	C15 - 15W Input Voltage: 120-277Vac	42 - 42"	8 - 7 7/8"	30- 3000K 40- 4000K	80- R80 90- R90	B- Black W- White G- Gray Z- Mineral Bronze S- Silver	M - Marine ambient corrosion resistance DMG - 0-10V Dimming

Note: Fixtures must be grounded in accordance with national, state, and/or local electrical codes. Failure to do so may result in serious personal injury

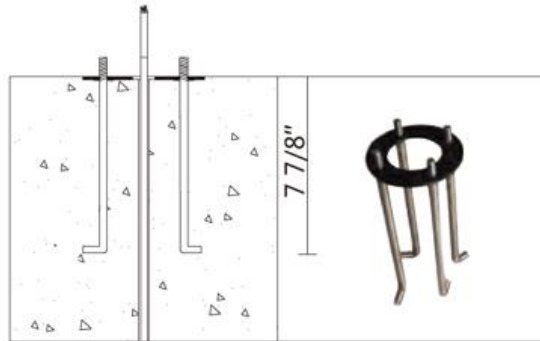
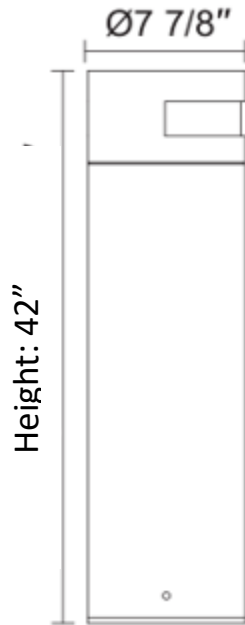
Photometric Diagrams

BL-ET5036 (180° Light distribution)



Mechanical Dimensions

BL-ET5036 (180° Light distribution)



Four anchor bolts included (standard)