

## Decorative Bollard ET5060



Project:

Location:

Catalog #:

Quantity:

### Features

Teslyte ET5060 bollard featuring a sleek appearance of stainless-steel column with choices of height and surface finish and creating an axially symmetric, broad, and uniform beam spread, ideally suited for illumination of pathways, entrances and access roads.

- Housing:
  - Stainless steel housing body
  - Silicone rubber gasket
- Light aperture
  - 360° light distributions
- Optical Lens:
  - Polycarbonate lens
- Finish:
  - Standard RAL color powder coat finish
- Application:
  - Pathways, entrances and access roads
- Ratings:
  - IP65
- Warranty:
  - 3 years

### Ordering Information

Product code

**ET5060**

H:37.40" x W:6.29"

Input Voltage:  
120-277Vac

Wattage

**S13**- 13W  
**S30**- 30W

CCT(K)

**3**- 3000K  
**4**- 4000K  
**6**- 6000K  
**R**- Red  
**G**- Green  
**B**- Blue

Ra

**80**- R80  
**90**- R90

Finish

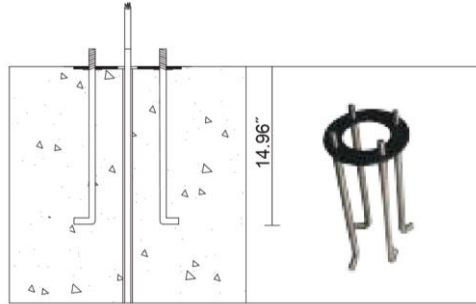
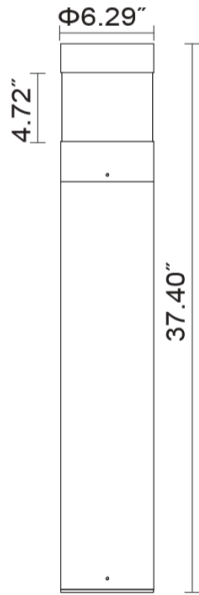
**B**- Black  
**W**- White  
**G**- Gray  
**Z**- Mineral  
Bronze  
**S**- Silver

Options

**N** - No options

Note: Fixtures must be grounded in accordance with national, state, and/or local electrical codes. Failure to do so may result in serious personal injury

Mechanical Dimensions & Photometric



Four anchor bolts included (standard)

