

LED Area and Site Luminaire



EW-S101MBXH



EW-S101PGXH



Project:

Location:

Catalog #:

Quantity:

Features

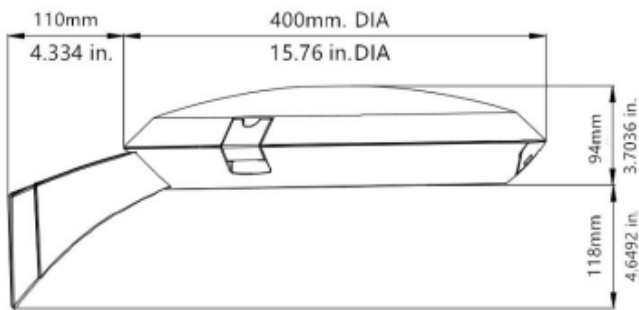
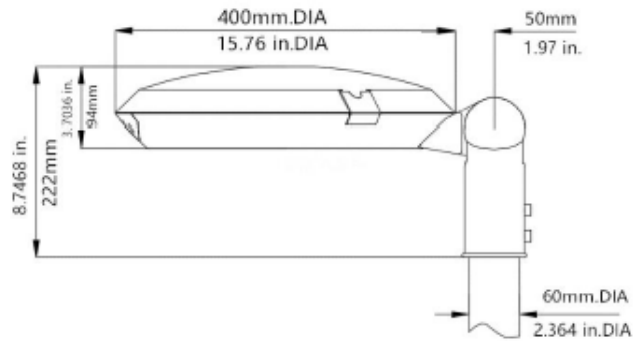
Teslyte EW-S101MBXH and EW-S101PGXH is a versatile architectural area luminaires with the flexibility to be used in walkways, parking lots, building areas and pedestrian scale applications. These area luminaires are offered with an advanced LED optical system to deliver an excellent combination of performance and visual comfort. They are a scalable lighting solution targeted for 8 feet to 20 feet mounting heights.

- Housing:
 - Aluminum alloy die-casting for superior durability
 - Silicone gaskets enable an IP66 rated optical compartment
 - Stainless steel hardware with properly secure all components within the housing
- Lens : Optical PMMA LGP plus high-degree diffusion outdoor PC lens providing a high visual comfortable and Glare Free UGR<19 (MB comfort version)
- LEDs: Highly efficient LEDs and quality driver providing luminaire output efficacy up to 125 LPW
- Applications: Retail centers, walkways, office buildings and parking lots
- Mounting: Arm mount or slip-fitter
- Ratings: ETL, IP66 rated, suitable for wet locations
- Warranty: 5 years

Ordering Information

Product code	Dimming option	Wattage	CCT(K)	Finish	Mounting
<input type="text"/>	- <input type="text"/>	<input type="text"/>	- <input type="text"/>	- <input type="text"/>	- <input type="text"/>
EW-S101PGXH - Standard Version	A - No Dimming B - 1-10V Dimming	025 - 25W 035 - 35W 060 - 60W	22 - 2200K 27 - 2700K 40 - 4000K 50 - 5000K 60 - 6000K	DB - Dark Bronze LG - Light Gray BL - Black	XH - Arm mount (3.0" or 2-3/8" round pole or any square pole) LD - Slip-fitter mount (3" or 4" mount for 2-3/8" OD Tenon)
EW-S101MBXH – Comfort Version (diffuse lens)	C - Timer Dimming with 3 Timer Modes D - DALI Controllable with Class II DALI-2 Driver Integrated with Always-on Auxiliary Power, Ready for Sensor Controllable (220 – 240 Vac input Only) E - DALI Controllable with Class I DALI-2 Driver Integrated with Always-on Auxiliary Power, Ready for Sensor Controllable	E dimming option only 050 - 50W Only Available for EW-S1010PGXH 080 - 80W 100 - 100W			

Note: Fixtures must be grounded in accordance with national, state, and/or local electrical codes. Failure to do so may result in serious personal injury

Mechanical Dimensions

XH Arm Mount

LD Slip-Fitter mount