

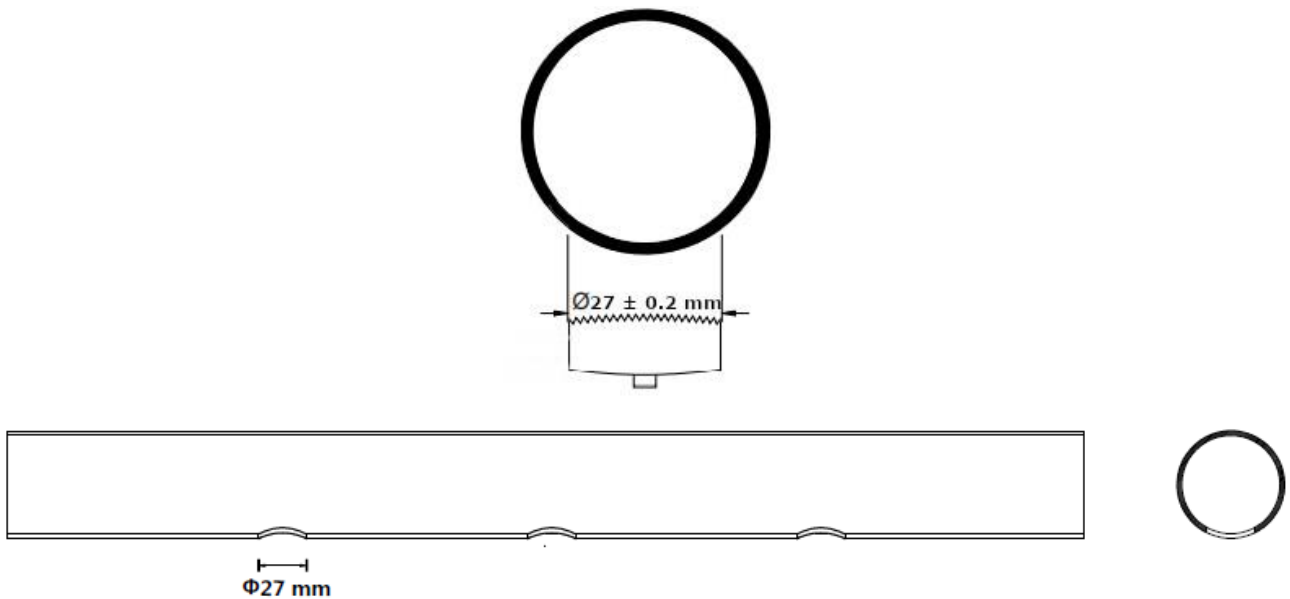
TESLYTE SERIES: HR-TD Series

IMPORTANT SAFETY INSTRUCTIONS

- THIS PRODUCT MUST BE INSTALLED IN ACCORDANCE WITH THE APPLICABLE LOCAL INSTALLATION CODE BY A PERSON FAMILIAR WITH THE CONSTRUCTION AND OPERATION OF THE PRODUCT AND THE HAZARDS INVOLVED.
- Before the luminaire is connected, please carefully check the input voltage, so as not to cause damage to the luminaire.
- The installation and removal of luminaires require professional technical personnel to operate.
- Before installation, please check if there are signs of serious damage to the luminaires.
- When wiring, please disconnect all light fixtures from the power supply, so as not to get an electric shock.
- This product can only be installed in dry environment and sunny weather.
- Do not remove the original structure, to avoid leakage of light.
- Acrylic Lens with waterproof and dust; if broken lens is discovered, please replace the lens in a timely manner.

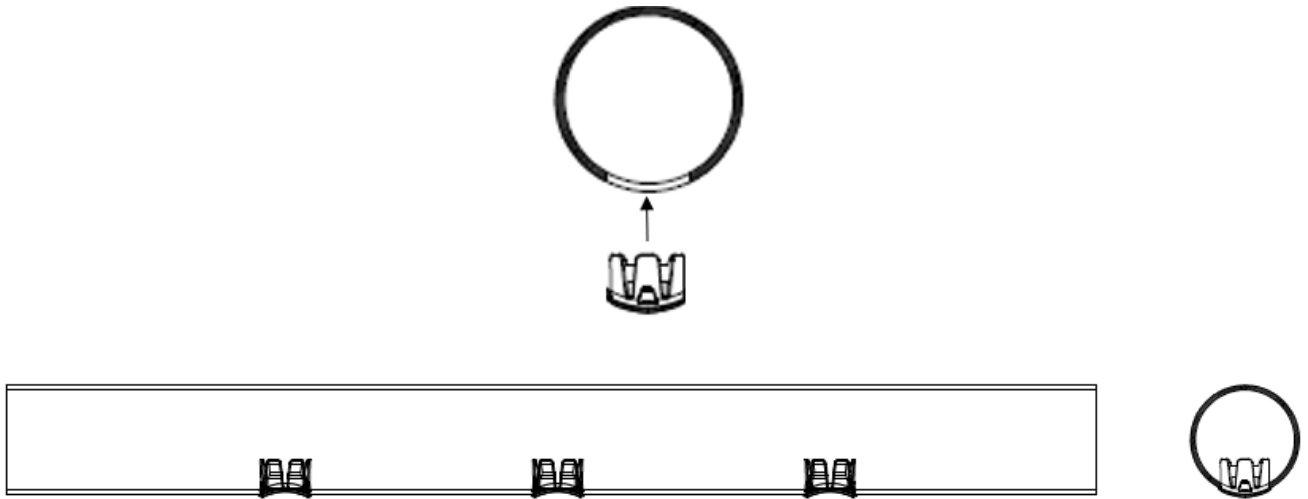
INSTALLATION INSTRUCTIONS

- Step 1: Use a 27mm or 1-1/16" annular cutter to bore holes at desired locations along the handrail. Make sure that drilled holes are deburred and all excess swarf are removed.

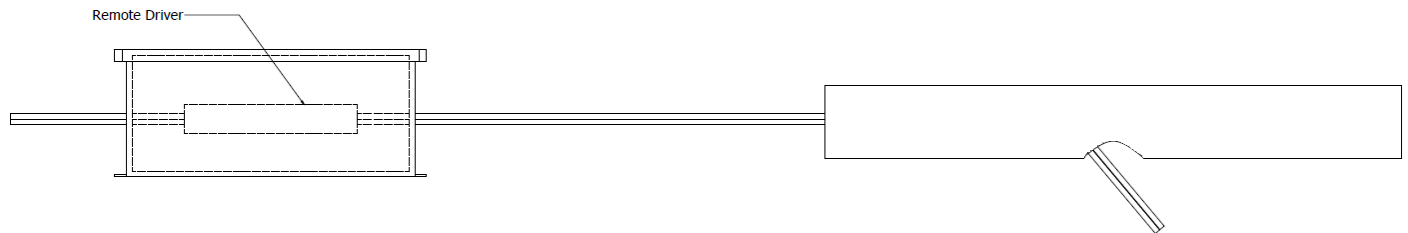


Note: To ensure proper installation, the thickness of handrail should be 0.04 – 0.08 in. and handrail outer diameter should be 1.5 – 2.0 in.

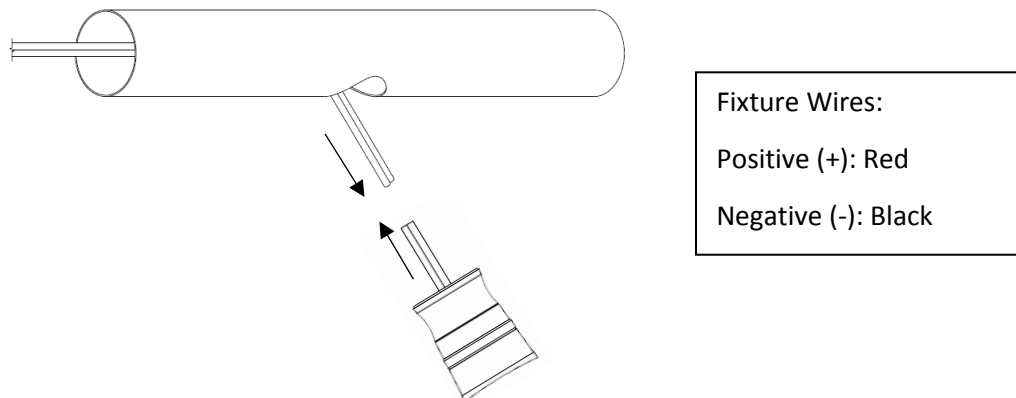
- Step 2: insert the plastic light fixture holders into the holes.



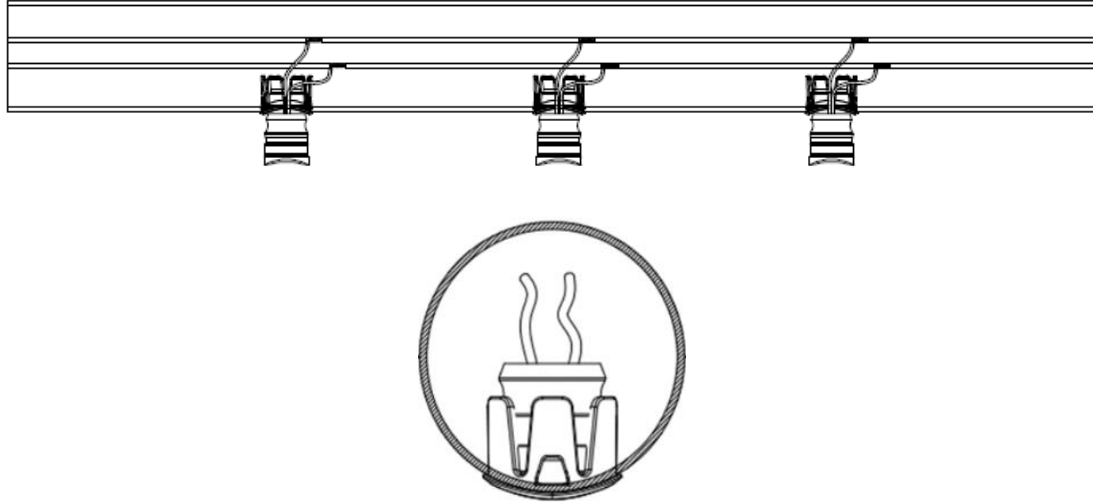
- Step 3: Connect power cable to the driver with constant 12V_{DC} or 24V_{DC} output and then feed the appropriate wires (14ga to 18ga) from driver to the holes by going through the inside of the handrail.



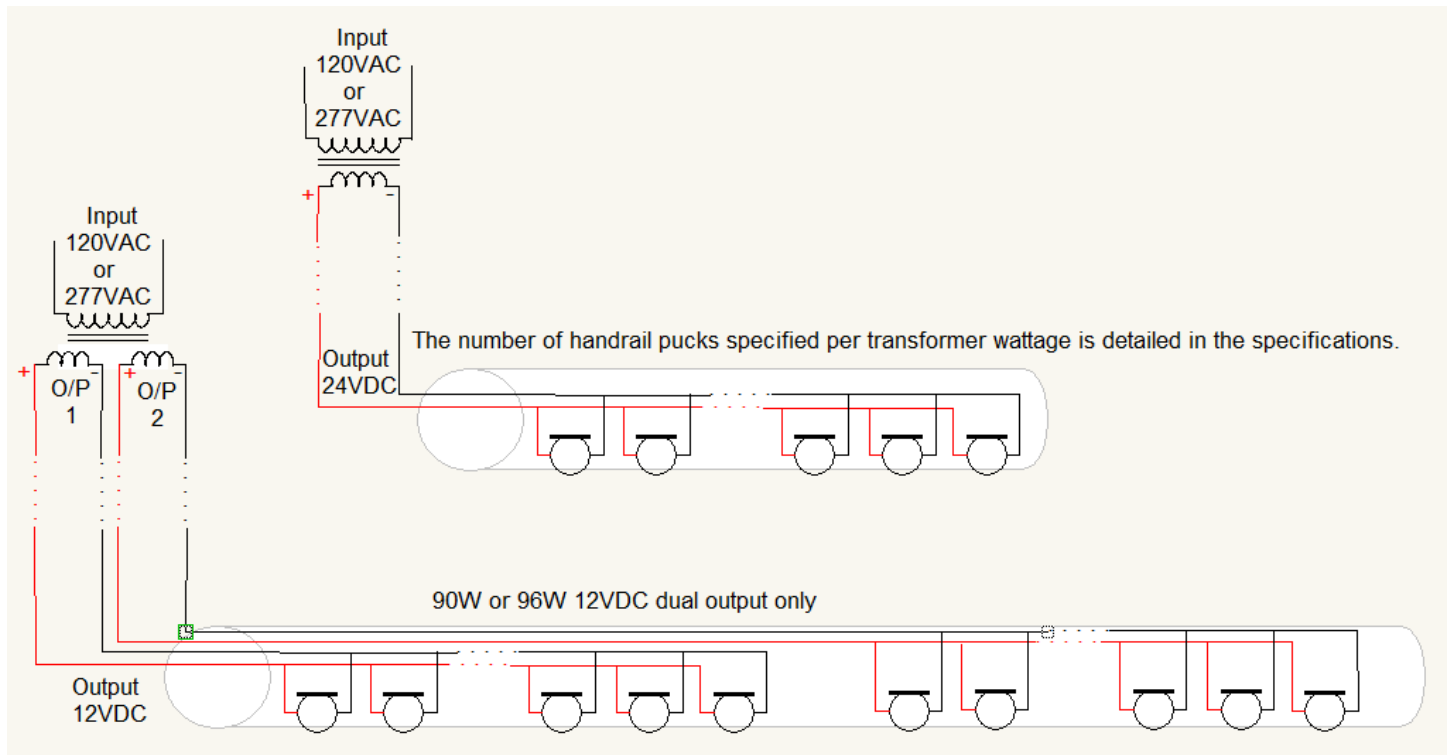
- Step 4: Connect the two wires of the light fixture to the cable inside the handrail in parallel circuit.



- Step 5: Using the provided clip, push the fixture into the plastic light fixture holder until it is flushed to the handrail and use the clip to rotate the fixture to get the desired light distribution. **Prod the rim of the clear silicone IP seal to provide a tighter fit.**



- Step 6: Repeat all the steps until all handrail lights are properly installed.

WIRING INSTRUCTIONS


WIRE LENGTH (FT) ALLOWED FROM THE TRANSFORMER TO LAST HANDRAIL PUCK		
24VDC OUTPUT 96W TRANSFORMER, 45 HANDRAIL PUCKS, 2.5Amp LOAD		
WIRE SIZE (AWG)	OPERATING VOLTAGE (V)	WIRE LENGTH (FT)
16	24V	300'
14	24V	600'
12	24V	900'
10	24V	1400'
12VDC DUAL OUTPUT 96W TRANSFORMER, 45 HANDRAIL PUCKS, 2.5Amp LOAD		
WIRE SIZE (AWG)	OPERATING VOLTAGE (V)	WIRE LENGTH (FT)
16	12V CH1 22 handrail pucks	100'
	12V CH2 23 handrail pucks	100'
14	12V CH1 22 handrail pucks	200'
	12V CH2 23 handrail pucks	200'
12	12V CH1 22 handrail pucks	300'
	12V CH2 23 handrail pucks	300'
10	12V CH1 22 handrail pucks	400'
	12V CH2 23 handrail pucks	400'