

## Handrail Luminaire

Project:

Location:

Catalog #:

Quantity:



### Features

Teslyte HR-TD Series is inconspicuous recessed handrail light that serve as an exceptional lighting source for stairways. The HR-TD is ideal to illuminate stairways and walkways of residential and commercial buildings like hospitals, movie theaters, public parks, and apartment complexes.

- Housing: Aluminum or stainless-steel options
- Lens: Symmetrical or Asymmetrical options or wide beam
- LEDs:
  - Highly efficient integral LED
- Applications:
  - Suitable for walkway and stairways for Residential or Commercial.
- Ratings:
  - Suitable for wet locations
  - IP65
- Warranty: 5-year warranty.

### Ordering Information

Product code	Voltage	Distribution	Wattage	CCT (K)	Housing	Optional
<b>HR-TD01</b>	- <b>DC</b>	- <input type="text"/>	- <input type="text"/>	- <input type="text"/>	- <input type="text"/>	- <input type="text"/>
	DC Voltage 12V <sub>DC</sub> or 24V <sub>DC</sub>	<b>AS</b> - Asymmetrical <b>S</b> - Symmetrical	<b>1W5</b> – 1.5W (97 lms)	<b>30</b> - 3000K <b>40</b> - 4000K	<b>SL</b> – Aluminum Silver finish <b>SS</b> – Stainless steel	<b>RD</b> - Remoted Driver
		<b>W</b> - Wide beam 105°	<b>2W</b> - 2W (204 lms)			

Note: Fixtures must be grounded in accordance with national, state, and/or local electrical codes. Failure to do so may result in serious personal injury

### Remoted Drivers Ordering Part Number

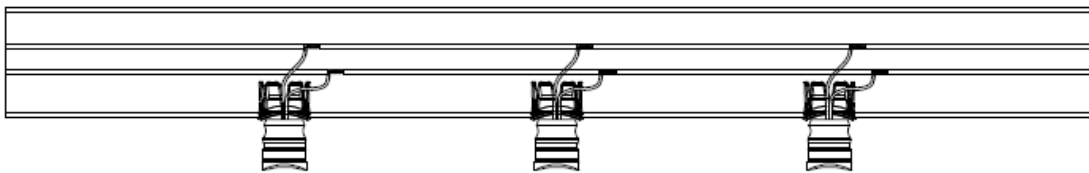
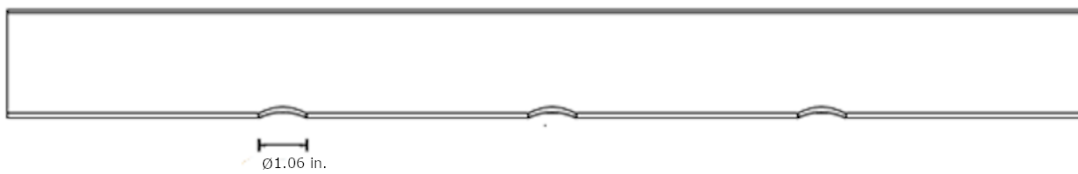
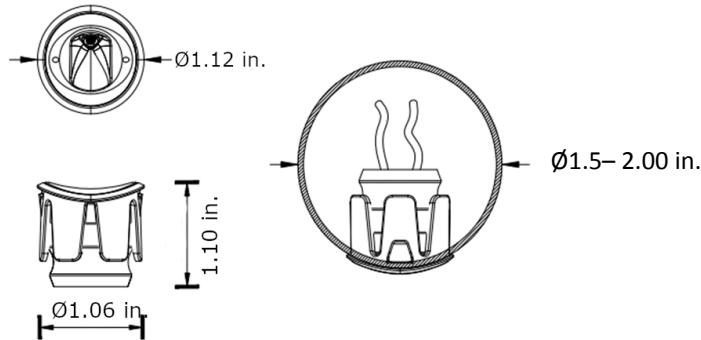
Transformer Wattage	12V DC OP/120AC	12V DC OP/277AC	24V DC OP/120AC	24V DC OP/277AC
<b>20W (8 pucks per transformer)</b>	SEB12DC-20W-3R	SEB12DC-20W-3R-277		
<b>24W (8 pucks per transformer)</b>			SEB24DC-24W-3R	SEB24DC-24W-3R-277
<b>40W (18 pucks per transformer)</b>	SEB12DC-40W-3R	SEB12DC-40W-3R-277	SEB24DC-40W-3R	SEB24DC-40W-3R-277
<b>60W (25 pucks per transformer)</b>	SEB12DC-60W-3R	SEB12DC-60W-3R-277	SEB24DC-60W-3R	SEB24DC-60W-3R-277
<b>96W (45 pucks per transformer)</b>	SEB12DC-96W-3R	SEB12DC-96W-3R-277	SEB24DC-96W-3R	SEB24DC-96W-3R-277

Note: (1) Transformer dimensions: 8.5" x 3.5" x 3"

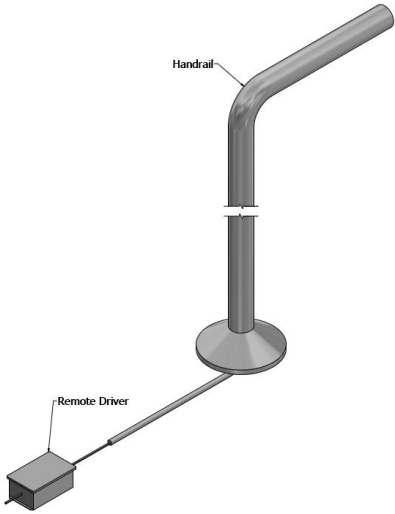
(2) 96W 12Vdc is dual output and requires two separated wiring pairs in the handrail.

(3) Ideal spacing for 2-foot fixtures

Mechanical Dimensions



**Remoted Transformer Specification**



**12VDC or 24VDC Magnetic Dimmable LED Power Supplies**

- Meet UL, CUL, ANSI/UL, CSA requirements and class 2 output
- 12V or 24V rated output
- 1/8" steel, powder coated NEMA 3R CASE
- Transformer dimension: 8.5" x 3.5" x 3"

**Remoted Transformer Mounting Distance Chart**

<b>WIRE LENGTH (FT) ALLOWED FROM THE TRANSFORMER TO LAST HANDRAIL PUCK</b>		
<b>24VDC OUTPUT 96W TRANSFORMER, 45 HANDRAIL PUCKS, 2.5Amp LOAD</b>		
<b>WIRE SIZE (AWG)</b>	<b>OPERATING VOLTAGE (V)</b>	<b>WIRE LENGTH (FT)</b>
16	24V	300'
14	24V	600'
12	24V	900'
10	24V	1400'
<b>12VDC DUAL OUTPUT 96W TRANSFORMER, 45 HANDRAIL PUCKS, 2.5Amp LOAD</b>		
<b>WIRE SIZE (AWG)</b>	<b>OPERATING VOLTAGE (V)</b>	<b>WIRE LENGTH (FT)</b>
16	12V CH1 22 handrail pucks	100'
	12V CH2 23 handrail pucks	100'
14	12V CH1 22 handrail pucks	200'
	12V CH2 23 handrail pucks	200'
12	12V CH1 22 handrail pucks	300'
	12V CH2 23 handrail pucks	300'
10	12V CH1 22 handrail pucks	400'
	12V CH2 23 handrail pucks	400'