

Wall Sconces LED Luminaire



Project:

Location:

Catalog #:

Quantity:

Features

Teslyte WS-TA Series is a contemporary decorative wall sconce that features four sides clear glass panels within a metal frames. This wall sconce is a simply traditional design with minimal uplight and better BUG rating per dark sky requirements. The WS-TA wall sconce is the ideal choice for providing illumination to building interiors and exteriors.

- **Housing:**
 - Made of thick corrosion resistant aluminum.
- **Finish:**
 - Powder coat or anodized finish that provides superior resistance to corrosion, weathering, and scratches.
- **Optical Lens:**
 - Four clear acrylic or glass side panels with symmetrical light distribution.
- **Lamps:**
 - Vintage antique T10 tubular incandescent bulb.
 - LED lighting options available. Consult factory.
- **Applications:**
 - Suitable for both indoor and outdoor for Residential or Commercial
- **Mounting:** wall mount
- **Ratings:**
 - Suitable for wet locations
 - 5-year warranty

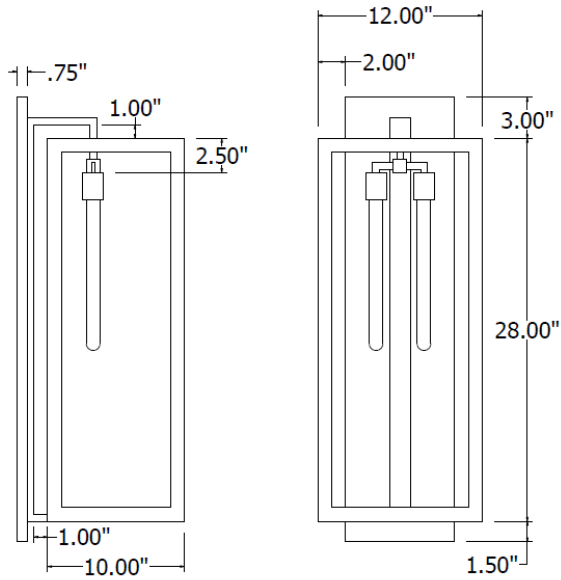
Ordering Information

Product code	Voltage	Wattage	CCT (K)	Finish	Optional
<input type="text"/>	- <input type="text"/>	- <input type="text"/>	- <input type="text"/>	- <input type="text"/>	- <input type="text"/>
WS-TA28-27 28 - 28" Height Two Lamp Sockets	I – Incandescent T10 120 V L – LED 120-277V	Up to 40W for each lamp	30- 3000K 40- 4000K 50- 5000K	BL - Black WH - White BS - Brass BR - Bronze SL - Silver AB - Anodized Black AW - Anodized White AS - Anodized Brass AR - Anodized Bronze AL - Anodized Silver C - Custom	N - No Options D - Dimmable
WS-TA16-27 16 - 16" Height One Lamp Socket					
WS-TA10-27 10 - 10" Height One Lamp Socket					

Note: Fixtures must be grounded in accordance with national, state, and/or local electrical codes. Failure to do so may result in serious personal injury

Mechanical Dimensions

WS-TA28-27



WS-TA28-27



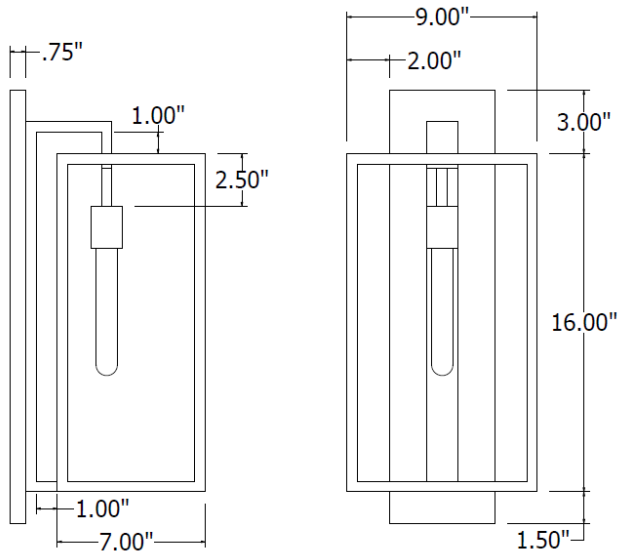
WS-TA16-27



WS-TA10-27



WS-TA16-27



WS-TA10-27

